

# W

## AFER BUTTERFLY VALVE

PN 16/25 3"-24" (50-600mm)

**medium** Face to Face  
acc. ISO 5752  
Fully vulcanized  
Heavy duty

**LONG LIFE VALVES**



Top flange acc. ISO 5211.

### Products

| Type | Operation  | Disc   | Nominal size |    |     |     |     |     |     |     |     |     |     |     |   |   |
|------|------------|--|--------------|----|-----|-----|-----|-----|-----|-----|-----|-----|-----|-----|---|---|
|      |            |  | mm           | 80 | 100 | 150 | 200 | 250 | 300 | 350 | 400 | 450 | 500 | 600 |   |   |
|      |            |  | inches       | 3" | 4"  | 6"  | 8"  | 10" | 12" | 14" | 16" | 18" | 20" | 24" |   |   |
| 001  | Gear       | Coated Ductile Iron:<br>Nylon 11 (Rilsan)/<br>Halar (ECTFE) / Enamel |              | *  | *   | *   | *   | *   | *   | *   | *   | *   | *   | *   | * | * |
| 002  | Lever      |  |              | *  | *   | *   | *   | *   | *   | *   | *   | *   | *   | *   | * | * |
| 003  | Bare shaft |  |              | *  | *   | *   | *   | *   | *   | *   | *   | *   | *   | *   | * | * |
| 004  | Gear       | Ductile Iron<br>Rubber lining  |              | *  | *   | *   | *   | *   | *   | *   | *   | *   | *   | *   | * | * |
| 005  | Lever      |  |              | *  | *   | *   | *   | *   | *   | *   | *   | *   | *   | *   | * |   |
| 006  | Bare shaft |  |              | *  | *   | *   | *   | *   | *   | *   | *   | *   | *   | *   | * |   |
| 007  | Gear       | S.S.316 (CF8M)   |              | *  | *   | *   | *   | *   | *   | *   | *   | *   | *   | *   | * | * |
| 008  | Lever      |  |              | *  | *   | *   | *   | *   | *   | *   | *   | *   | *   | *   | * |   |
| 009  | Bare shaft |  |              | *  | *   | *   | *   | *   | *   | *   | *   | *   | *   | *   | * |   |
| 010  | Gear       | Worthite / Duplex  |              | *  | *   | *   | *   | *   | *   | *   | *   | *   | *   | *   | * | * |
| 011  | Lever      |  |              | *  | *   | *   | *   | *   | *   | *   | *   | *   | *   | *   | * |   |
| 012  | Bare shaft |  |              | *  | *   | *   | *   | *   | *   | *   | *   | *   | *   | *   | * |   |

Flange connection: DIN, BS, ANSI

Lining: NBR, EPDM, BOTYL, HYPALON, VAMAC

Gear Type: AM ; AV ; F (\*IP65-option)

\* Order example: 102F Type 004 Botyl DN 300 DIN.

### Description

#### Application

Multipurpose, Bi-Directional Shut off valve.  
Working temperature up to -NBR+Botyl: 70°C,  
Hypalon+EPDM: 120°C, Vamac: 175°C.

#### Operation by:

Lever, Gear, Pneumatic or Electric Actuator.

#### Coating

Body: Epoxy 50-150 mic.

#### Advantages

**Liner:** Fully vulcanized liner seat.

- Guaranteeing seat stability
- Prevents corrosion between liner and body.
- Eliminates the need of separate gaskets for installation.
- Dry shaft - prevents leakage outside.

#### Split Shaft:

- Without any pins / bolts pinned on disc.
- Square ends ensures maximum transfer of torque during operation.

#### Disc:

- Shaped disc - minimize friction losses and providing a drop tight seal.
- Very low head loss.

#### Material Specification

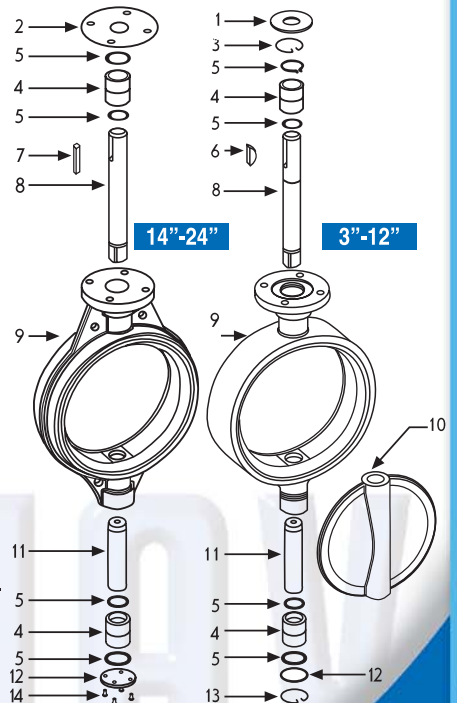
|    |                |   |
|----|----------------|---|
| 1  | Washer         | ST 37, Galvanized                         |
| 2  | Round plate    | ST 37, Galvanized (14"-24")               |
| 3  | Retaining Ring | DIN 471                                   |
| 4  | Bearing Bush   | Bronze C385 / RN                          |
| 5  | O-Ring         | NBR                                       |
| 6  | Woodruff Key   | Steel                                     |
| 7  | Key            | Long key (14"-24")                        |
| 8  | Shaft-Top      | S.S.416 / S.S.316 / Duplex                |
| 9  | Body 3"-8"     | Ductile Iron GGG50 / C.I.GG25             |
| 9  | Body 10"-24"   | Ductile Iron GGG50                        |
| 10 | Disc           | D.I. GGG50 / S.S. 316 / Worthite / Duplex |
| 11 | Shaft-Bottom   | S.S.416 / S.S.316 / Duplex                |
| 12 | Round Plate    | ST 37, Galvanized                         |
| 13 | Retaining Ring | DIN 472                                   |
| 14 | Screws         | Hex' Head Screw                           |

**Body:** nodular cast iron.

- Hammering and pressure proof.
- Installed between all kinds of flanges.

**Gear:** Powerful low ratio gear.

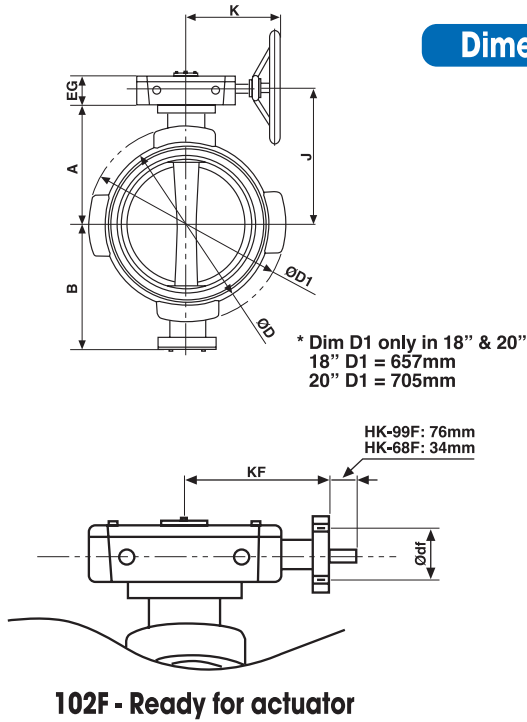
- F-type - for electric actuator
- Heavy Duty
- Option - IP65



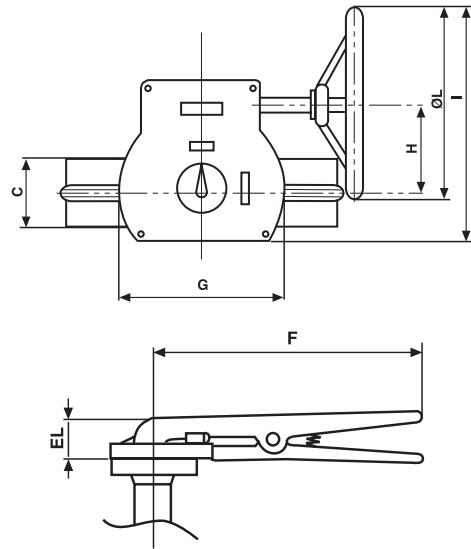
| Applications for: | Drinking water | Air cooling system | Hot water | Steam | Water treatment | Sewage water | Sea water | Desalination plants | Chemical industry | Food industry | Pulp/Paper industry | Dry air | Gas | Vacuum |
|-------------------|----------------|--------------------|-----------|-------|-----------------|--------------|-----------|---------------------|-------------------|---------------|---------------------|---------|-----|--------|
|                   | ✓              | ✓                  | ✓         | ✓     | ✓               | ✓            | ✓         | ✓                   | ✓                 | ✓             | ✓                   | ✓       | ✓   | ✓      |

# 102 WAFER BUTTERFLY VALVE PN16/25

## Dimensions (mm)



## 102AM & 102AV - Gear operated



## 102L - Lever operated

102 Dimensions Table

|            | Dimension | DN      |       |      |       |      |      |                       |     |       |     |     |     |
|------------|-----------|---------|-------|------|-------|------|------|-----------------------|-----|-------|-----|-----|-----|
|            |           | mm      | 80    | 100  | 150   | 200  | 250  | 300                   | 350 | 400   | 450 | 500 | 600 |
|            |           | inches  | 3"    | 4"   | 6"    | 8"   | 10"  | 12"                   | 14" | 16"   | 18" | 20" | 24" |
| General    | A         | 126.5   | 148   | 173  | 183.5 | 231  | 276  | 329                   | 374 | 402   | 425 | 493 |     |
|            | B         | 107     | 121   | 164  | 225.5 | 208  | 234  | 309                   | 385 | 401.5 | 435 | 505 |     |
|            | C         | 58      | 60    | 94   | 95    | 98   | 111  | 112                   | 129 | 140   | 140 | 152 |     |
|            | D         | 127/143 | 160   | 217  | 277   | 330  | 382  | 440                   | 496 | 557   | 595 | 703 |     |
| 102L       | EL        | 37      | 37    | 35   | 55    | 55   | 55   |                       |     |       |     |     |     |
|            | F         | 265     | 265   | 354  | 440   | 440  | 440  |                       |     |       |     |     |     |
|            | [Kg]      | 5       | 6.5   | 17.5 | 24.5  | 39.5 | 49.5 |                       |     |       |     |     |     |
| 102AV      | EG        | 61      | 61    | 78   | 78    | 78   | 78   | 111                   | 111 | 111   | 111 | 111 |     |
|            | G         | 120     | 120   | 201  | 201   | 201  | 201  | 330                   | 330 | 330   | 330 | 330 |     |
|            | H         | 47      | 47    | 100  | 100   | 100  | 100  | 166                   | 166 | 166   | 166 | 166 |     |
|            | I         | 167     | 167   | 272  | 272   | 272  | 272  | 417                   | 417 | 417   | 560 | 560 |     |
|            | J         | 154.5   | 176   | 218  | 228.5 | 276  | 321  | 379                   | 424 | 452   | 475 | 543 |     |
|            | K         | 144     | 144   | 245  | 245   | 245  | 245  | 275                   | 275 | 275   | 420 | 420 |     |
|            | L         | 135     | 135   | 215  | 215   | 215  | 215  | 315                   | 315 | 315   | 600 | 600 |     |
|            | [Kg]      | 6.5     | 8.5   | 28.5 | 35.5  | 48.5 | 58.5 | 105                   | 129 | 170   | 198 | 244 |     |
| 102AM      | EG        | 61      | 61    | 78   | 78    | 78   | 78   | 83                    | 83  |       |     |     |     |
|            | G         | 120     | 120   | 172  | 172   | 172  | 172  | 201                   | 201 |       |     |     |     |
|            | H         | 47      | 47    | 77   | 77    | 77   | 77   | 100                   | 100 |       |     |     |     |
|            | I         | 167.5   | 167.5 | 266  | 266   | 266  | 266  | 410                   | 410 |       |     |     |     |
|            | J         | 154.5   | 176   | 207  | 217.5 | 265  | 310  | 374                   | 419 |       |     |     |     |
|            | K         | 144     | 144   | 235  | 235   | 235  | 235  | 330                   | 330 |       |     |     |     |
|            | L         | 135     | 135   | 215  | 215   | 215  | 215  | 490                   | 490 |       |     |     |     |
| [Kg]       | 6.5       | 8.5     | 20.5  | 27.5 | 40.5  | 50.5 | 87   | 111                   |     |       |     |     |     |
| 102F       | KF        |         |       | 145  | 145   | 145  | 190  | 190                   | 190 | 190   | 190 | 190 |     |
|            | dF        |         |       | F10  | F10   | F10  | F10  | F14                   | F14 | F14   | F14 | F14 |     |
| Bare shaft | [Kg]      | 4.5     | 6     | 15.5 | 22.5  | 35.5 | 45.5 | 74                    | 98  | 142   | 161 | 208 |     |
| Top Flange |           | F07     | F07   | F10  | F10   | F10  | F10  | According to ISO 5211 |     |       |     |     |     |

Dimensions and weight can be changed without notification.