



D-012 PN 25

D-014 PN 40

D-016 PN 64

D-100 PN 100



COMBINATION AIR VALVE FOR HIGH PRESSURE

Reliable operation reduces water hammer incidents. Dynamic design allows high velocity air discharge, Preventing premature closing. Lightweight, small dimensions, simple and reliable structure. Special nozzle design: combination of bronze and E.P.D.M. rubber, assures long-term maintenance free operation. The drainage outlet enables removal of excess fluids. Standard metal body - baked polyester coating.

Automatic component

A.R.I patent, Rolling Seal Mechanism:

- Dramatically reduces the possibility of obstruction by debris.
- Discharges high air flow rates up to 786 m³/h.
- One size orifice for a wide pressure range (up to 64 bar).
- Self cleaning mechanism.

All operating parts are made of specially selected corrosion resistant materials.

Working pressure range: 0.2-100 bar (3-1400 psi).

Options

D-012 Working pressure up to 25 bar.

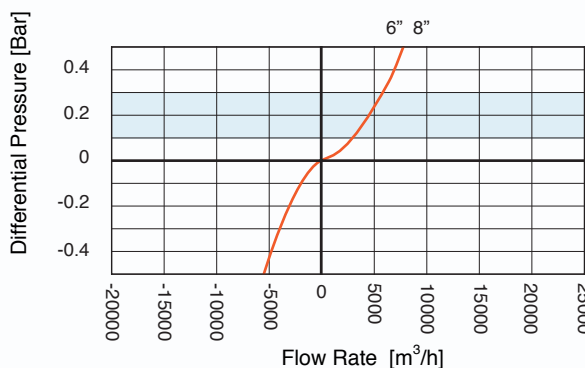
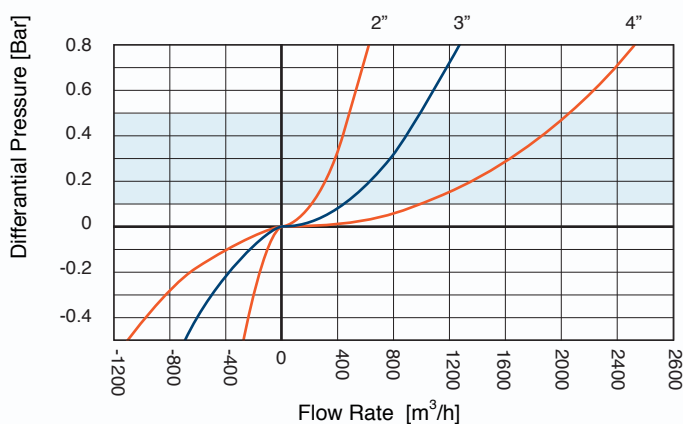
D-014 Working pressure up to 40 bar.

D-016 Working pressure up to 64 bar.

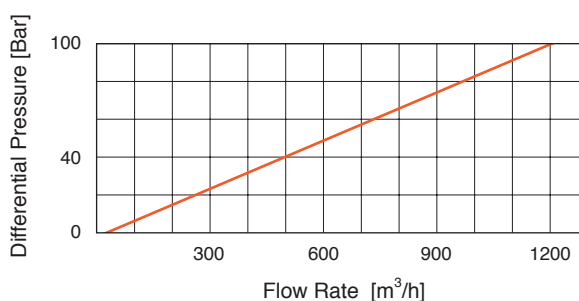
D-100 Working pressure up to 100 bar.

Available in 2" (50mm) - 8" (300mm).

AIR AND VACUUM FLOW RATE recommended range



AUTOMATIC AIR DISCHARGE

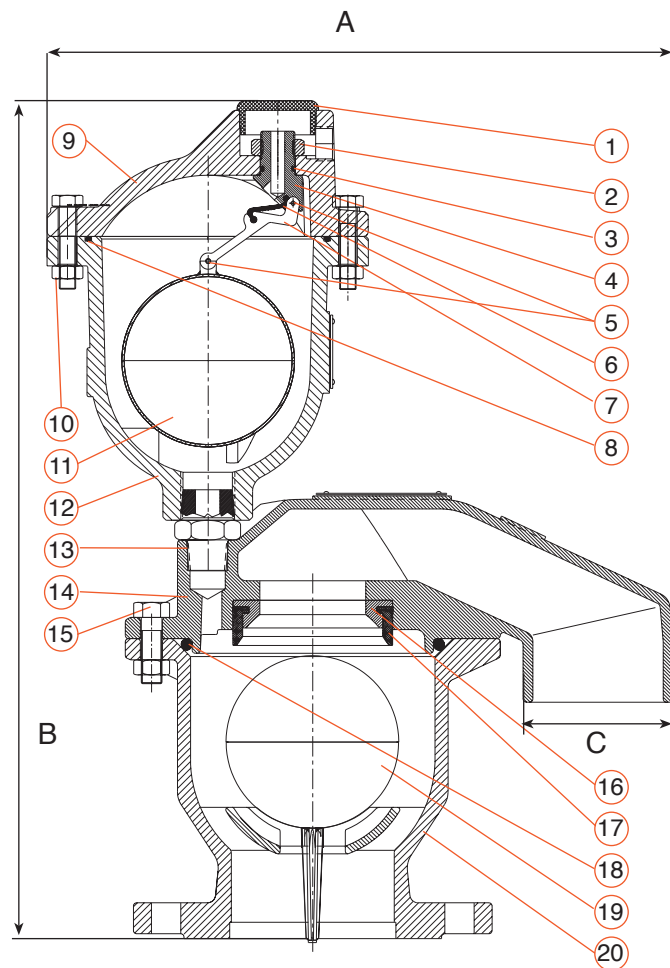


DIMENSIONS AND WEIGHT

Nominal Size	Dimensions mm				Weight Kg.	Orifice Area mm ²	
	A	B	internal	C externa		Kin.	Auto.
2" (50mm)	330	454	1 1/2 BSP Treated	-	32	794	15
3" (80mm)	331	504	63.5	74.6	46	1809	15
4" (100mm)	384	514	80.0	96.0	61	3317	15
6" (150mm)	576	729	124.0	140.0	105	17662	15
8" (200mm)	576	729	124.0	140.0	141	17662	15

PARTS LIST AND SPECIFICATION D-012 / D-014

No.	Part	Material
1.	Plastic Cover	Polypropylene
2.	Nut	Brass ASTM B-124
3.	O-Ring	BUNA-N
4.	Nozzle	Acetal
5.	Pin	Stainless Steel SAE 316
6.	Rolling Seal	Rubber E.P.D.M.
7.	Lever Seal	Acetal
8.	O-Ring	BUNA-N
9.	Cover	Sphero nodular ASTM A-536-60-40-18
10.	Bolt and Nut	Steel Zinc Cobalt Plated
11.	Float	Stainless Steel SAE 316
12.	Body	Sphero nodular ASTM A-536-60-40-18
13.	Adaptor	Brass ASTM B124
14.	Cover	Sphero nodular ASTM A-536-60-40-18
	6"	Cast Steel ASTM A-216 WCB
15.	Bolt and Nut	Steel Zinc Cobalt Plated
16.	Nozzle Seat	Bronze ASTM B62 B271 C83600
17.	Nozzle Seat	Natural and Synthetic Rubber
18.	O-Ring	BUNA-N
19.	Float	Polycarbonate / Stainless Steel 316
20.	Body	Sphero nodular ASTM A-536-60-40-18
	6"	Cast Steel ASTM A-216 WCB



DIMENSIONS AND WEIGHT

Nominal Size	Dimensions mm				Kin.	Orifice Area mm ²	
	A	B	internal	C		externa	Auto.
2" (50mm)	330	478	54	60	794	15	
3" (80mm)	447	513	81	89	1809	15	
4" (100mm)	468	595	81	89	2463	15	
6" (150mm)	577	727	108	124	17662	15	
8" (200mm)	577	727	108	124	17662	15	



PARTS LIST AND SPECIFICATION D-016 / D-100 2"-4"

No.	Part	Material
1.	Plastic Cover	Polypropylene
2.	Nut	Brass ASTM B-124
3.	O-Ring	BUNA-N
4.	Nozzel	Acetal
5.	Pin	Stainless Steel SAE 316
6.	Rolling Seal	Rubber E.P.D.M.
7.	Lever Seal	Acetal
8.	Cover	Cast Steel ASTM A216 WCB
9.	O-Ring	BUNA-N
10.	Bolt and Nut	Steel Zinc Cobalt Plated
11.	Float	Stainless Steel SAE 316
12.	Body	Cast Steel ASTM A216 WCB
13.	Adapter	Brass ASTM B124
14.	Cover	Steel DIN-ST37
15.	Bolt and Nut	Steel Zinc Cobalt Plated
16.	Nozzel Seat	Bronze ASTM B62 B271 C83600
17.	Nozzel Seat	Natural and Synthetic Rubber
18.	O-Ring	BUNA-N
19.	Float	Polycarbonate
20.	Body	Cast Steel ASTM A216 WCB

